



PRODUCT SPECIFICATION SHEET

TCSI

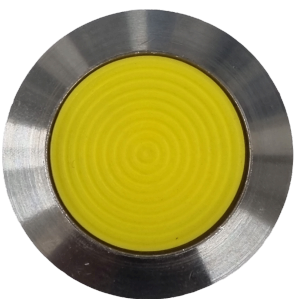
TACTILE GROUND SURFACE INDICATORS

Stainless Steel Tactile Warning Studs are designed to improve safety and accessibility for individuals with visual impairments. Installed in walkways, crossings, stairways, and public spaces, these durable studs offer clear tactile feedback through raised, textured surfaces. Made from weather-resistant stainless steel, they provide long-lasting durability and enhanced navigation in both indoor and outdoor environments.

SPECIFICATIONS

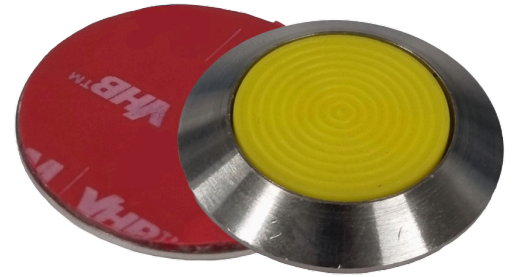
PRODUCT	Stainless Steel Studs Self Adhesive
CODE	CHELMSSA35WY
SIZE	35 mm
TYPE	Hazard / Warning
COLOUR	Yellow
BASE MATERIAL	Stainless Steel 316 Marine Grade
TOP OF STUD	Croncentric Rings

STANDARD COLOURS

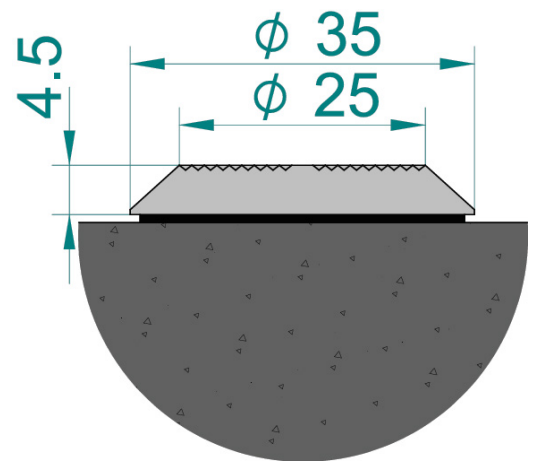


YELLOW

PROFILE



YELLOW



HOW TO SPECIFY

Copy the product name, code, size, type and colour required for the project.

Include manufacturer: Chelmstone Pty Ltd.

Ensure they are installed in accordance with manufacturer's guidelines. Including drill and fit with adhesive or diamond core and fit with adhesive.